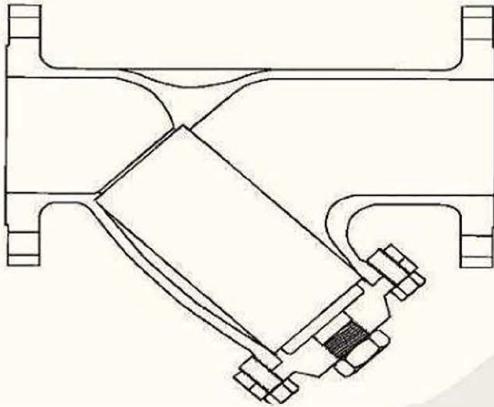


Y150 and Y300F Cast Steel Flanged Y-Strainers

Design Features:



- * Strainers available with RF flanged (ANSI B16.5) or but weld (ANSI B 16.25) end connections.
- * Strainer body meets ASME B 16.5 and ASME B16.34.
- * One piece cast body.
- * Strainers equipped with bolted cover flange that utilize gasket seal.
- * Bolted cover designed to meet the requirements of ASME Section VIII, Div. I, Appendix 2 and/or ASME B 16.5
- * Upper and lower machined seats.
- * SS 304 perforated screens are standard.
- * Drain/Blow-off connection furnished with plug as standard.
- * Generous screen area properly proportioned straining chamber to minimize initial pressure drop while maximizing time between cleaning.

Parts List and Standard Materials

Part	Carbon Steel	Stainless Steel
Body	A 216- WCB	A 351-CF8M
Cover	A 216- WCB	A 351-CF8M
Screen ¹	SS 304	SS 304
Plug	A 105	A 182-316
Gasket ¹	Series Y150: teflon Series Y300: SS 304 Spiral Wound	Series Y150: teflon Series Y300: SS 304 Spiral Wound
Stud	A 193-B7	A 193-B8-1
Nut	A 194-2H	A 194-8

Notes: 1. Recommended Spares.

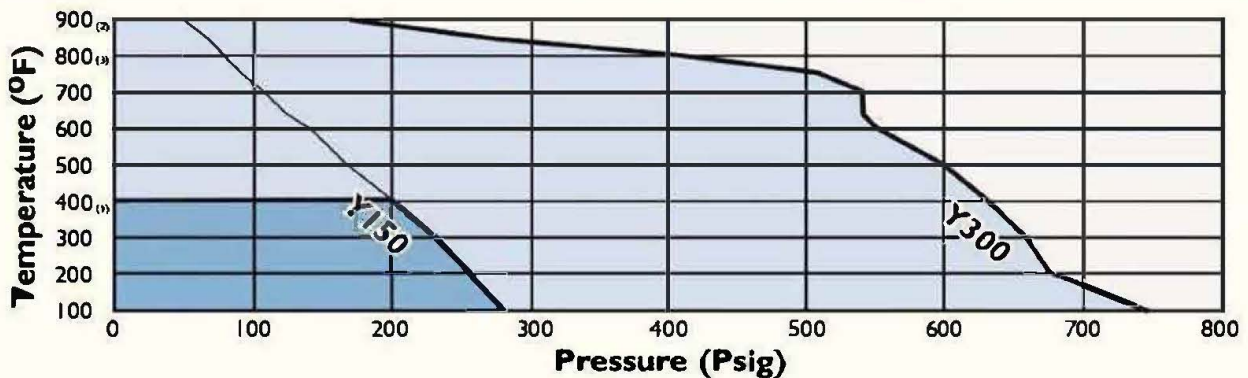
Upper Pressure Limits (Non-Shock)

Body Material	M.A.W.P. psig (Bars)
WCB	285 (19.65)
CF8M	275 (18.96)
WCB	740 (51.02)
CF8M	720 (49.64)

Lower Temperature Limits

Body Material	Lower Limit IF (iC)
WCB	-.20 (-28.9)
CF8M	-.20 (-28.9)

Pressure Temperature Chart (in accordance with ASME B16.5, WCB)



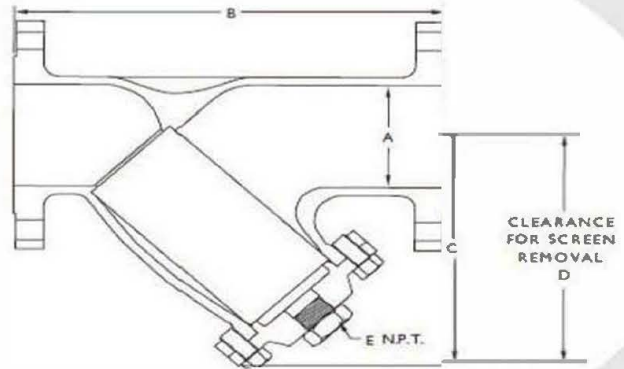
Y150 and Y300F Cast Steel Flanged Y-Strainers

Standard Screens

Size Range	Opening
1/2" - 1 1/2"	0.032 in.
15mm - 40mm	0.8mm
2" - 3"	0.045 in.
50mm - 80mm	1.2mm
4" & larger	0.125 in.
100mm & larger	3.2mm

Note: Flanged end strainer shown.

Butt - Weld end strainer dimensionally the same.



Dimensional Data (Classes 150, 300)

Size I in (mm)	A in (mm)		B in (mm)		C in (mm)		D in (mm)		E NPT ² in (mm)		Weight Lb. (Kg.)	
	150	300	150	300	150	300	150	300	150	300	150	300
1/2"	0.5	0.5	5.31	6.50	3.15	4.25	4.75	5.75	1/4	1/4	5.5	8
15	13	13	155	165	80	108	121	146	8	8	2.5	3.6
3/4"	0.75	0.75	5.90	7.75	3.54	5.00	5.75	6.75	3/8	3/8	6.5	14
20"	19	19	150	197	90	127	146	171	10	10	3	6.4
1"	1.00	1.00	6.50	7.88	3.74	5.50	6.38	8.12	1/2	1/2	9	15
25	25	1.5	165	200	95	140	162	206	15	15	4	6.8
1 1/2"	1.5	1.5	7.87	10.50	4.33	7.00	9.00	10.25	1/2	1/2	12	32
40	38	38	200	236	110	178	229	260	15	15	5.5	15
2"	2.00	2.0	9.25	9.32	5.12	5.69	7.50	8.00	1/2	1/2	20	26
50	51	51	235	267	130	145	191	203	15	15	9	12
2 1/2"	2.5	2.5	10.04	10.88	6.30	7.19	10.50	10.25	3/4	3/4	32	36
65	64	64	255	275	160	183	267	260	20	20	14.5	79
3"	3.00	3.00	10.62	12.63	6.89	8.13	10.88	11.50	1	1	36	55
80	76	76	270	320	175	207	276	292	25	25	16	25
4"	4.00	4.00	13.18	14.63	8.86	9.63	13.00	13.63	1 1/2	1 1/2	61	88
100	102	102	335	375	225	245	330	346	40	40	28	40
5"	5.00	5.00	14.76	18.50	9.45	15.38	17.00	21.50	2	2	110	180
125	127	127	375	470	240	381	432	546	50	50	50	82
6"	6.00	6.00	15.51	19.75	10.24	15.00	18.38	21.50	2	2	160	200
150	152	152	394	502	260	391	467	546	50	50	73	91
8"	8.00	8.00	19.60	25.00	14.76	16.50	21.63	22.00	2	2	210	290
200	203	203	498	635	375	419	549	559	50	50	95	132
10"	10.00	10.00	25.98	27.75	19.10	21.19	27.00	30.00	2	2	440	520
250	254	254	660	705	485	538	686	762	50	50	200	236
12"	12.00	12.00	30.51	33.00	22.05	24.31	31.00	34.38	2	2	585	680
300	305	305	775	838	560	617	787	873	50	50	265	308

Notes : Dimensions shown are subject to change