

# Vacuum Relief Valve.



These valves are designed to protect the reservoirs and the pipes against excessive negative (vacuum) pressures. As the negative pressure exceeds the valve setting, the pallet arises allowing the vacuum relieving.

#### Main Features :

- Replaceable seat.
- Antifreezing pallet; the drip around the pallet avoids condensate collecting around the seat.
- Pallet guides located above the seat; this arrangement assures a no-jamming guide of the pallet not affected by contaminant fluids as a close coupling between pallet and guides is not necessary.
- Bird screen avoids the entering of foreign elements.
- Setting: any setting available, changing the pallet's dead weight load, between -20 mm H<sub>2</sub>O and -400 mm H<sub>2</sub>O. (On request higher sets)

#### Standard Materials :

- Body: cast Aluminium, WCB, CF8 (304) CF8M(316).
- Seats and pallets: AISI 304, AISI 316.
- Bird screen and guides: 18/8 STainless Steel.
- Diaphragms: FEP, P.T F E., BUNA-N, VITON etc.

#### Flanges :

ANSI 150, drilled to UNI PN 10 on request.

#### Dwg. 102/A Valves :

These valves are used when the setting values exceed 800 mm H<sub>2</sub>O.

#### Dwg. 102/AC Valves :

These valves are used on blanketed tanks. Through the valve an inert gas can be fed into the reservoir when its pressure value is below the blanketing pressure.

#### Dwg. 102/TV Valves :

Tightness by elastomeric O-rings (Buna-N, Viton, Chemraz) to minimize the leakages.

**Valvola Rompivuoto. Vacuum Relief Valve.**

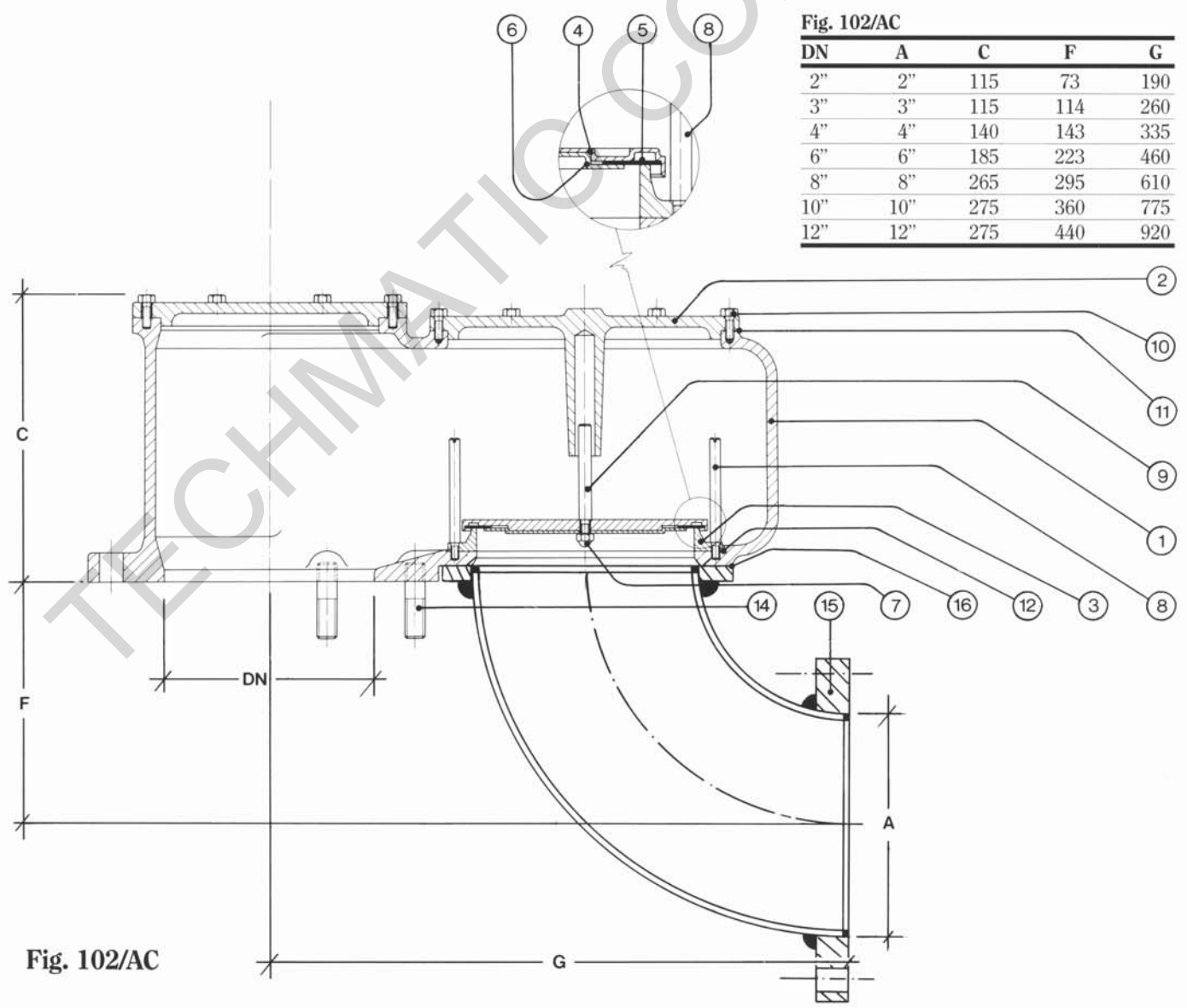
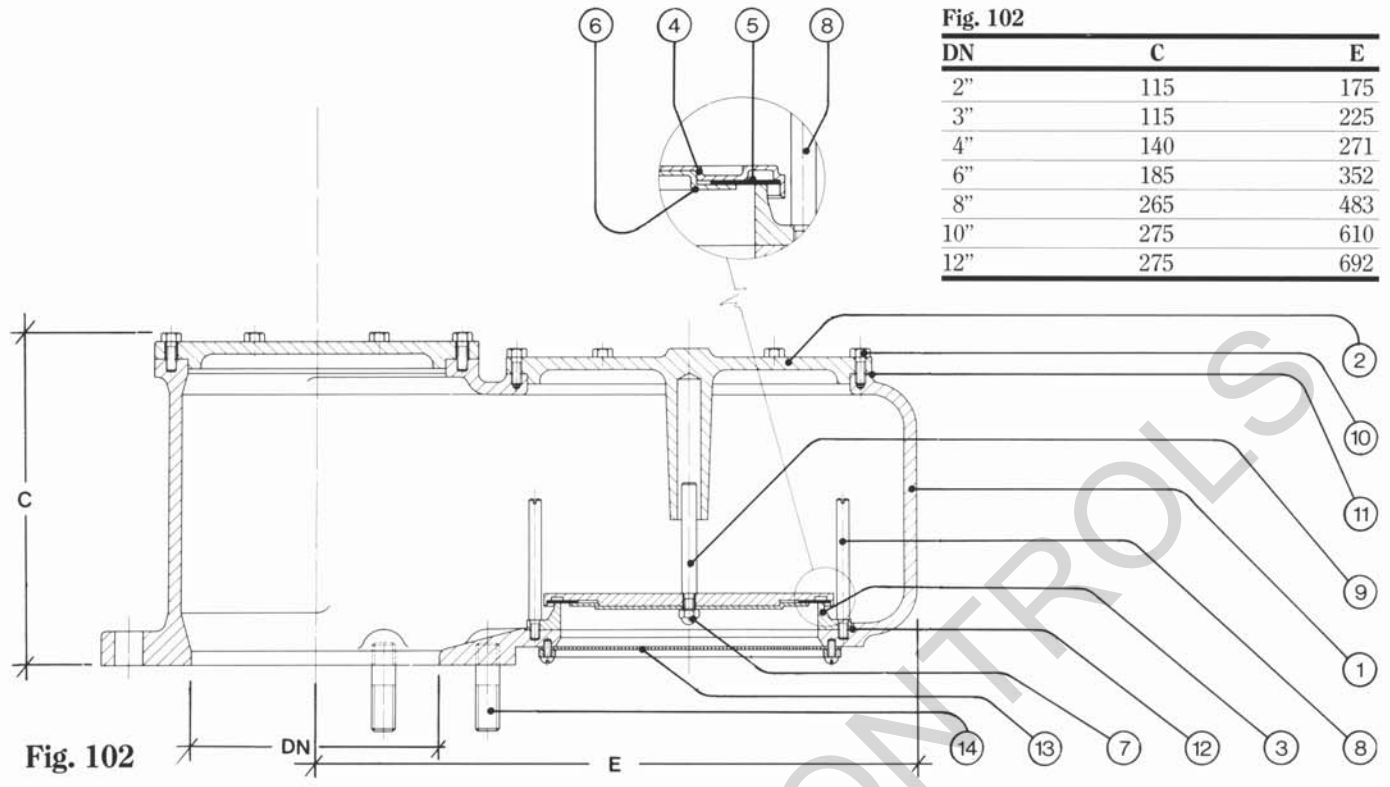


Fig. 102/A

DN	C	E
2"	115	175
3"	115	225
4"	140	271
6"	185	352
8"	265	483
10"	275	610
12"	275	692

Pos.	Descrizione/Description
1	Corpo/Body
2	Coperchio/Cover
3	Sede/Seat
4	Fungo/Pallet
5	Diaframma/Diaphragm
6	Trattenitore/Gasket Retainer
7	Dado/Pallet Nut
8	Guide Laterali/Peripheral Guides
9	Guida Centrale/Central Guide
10	Bulloni Coperchio/Cover Bolts
11	Guarnizione Coperchio/Cover Gasket
12	Guarnizione Sede/Seat Gasket
13	Rete/Bird Screen
14	Prigionieri/Studs
15	Gomito Aspirazione/Suction Elbow
16	Guarnizione Gomito/Elbow Gasket
17	Copri Molla/Spring Cover
18	Cappelotto/Cap
19	Dado di Blocco/Locking Nut
20	Vite di Connessione/Connecting Screw
21	Guida Molla/Spring Guide
22	Molla/ Spring
23	Stelo/Stem
24	Vite di Regolazione/Setting Screw
25	Guarnizione Cappelotto/Cap Gasket
26	Dado di Blocco/Locking Nut

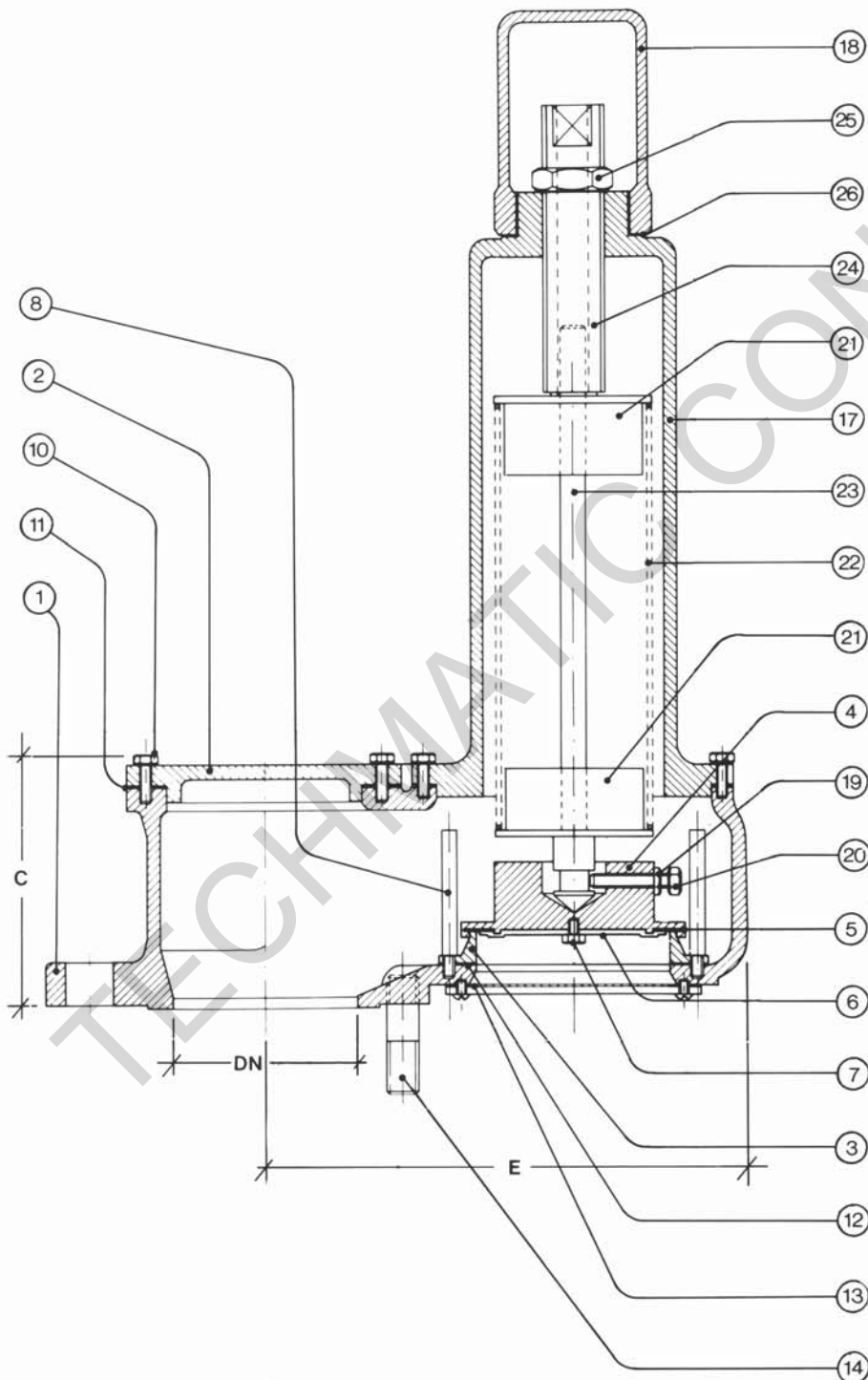


Fig. 102/A

### Breather Valves 2" Capacity curves

