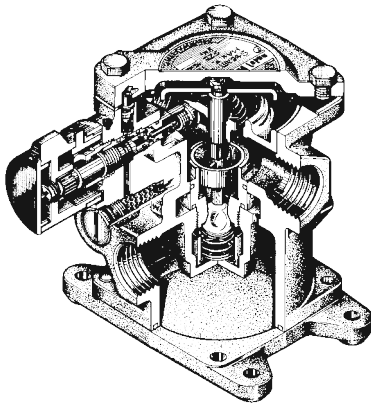
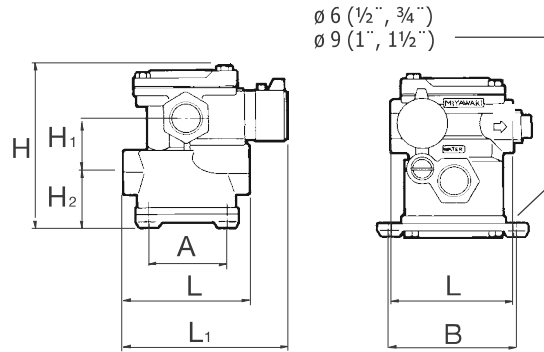


**MX1N Steam-Water-Mixing Valve**



**Dimensions**



Connection	Size	Max. Operating Pressure				Min. Operating Pressure				Max. Temperature		Max. Pressure Ratio steam : water (water : steam)	Max. Temperature		Dimensions mm (in)								Weight	
		Steam		Water		Steam		Water		Steam			Hot Water	°C	°F	L	L <sub>1</sub>	H	H <sub>1</sub>	H <sub>2</sub>	A	B	kg	lb
		MPa	psig	MPa	psig	MPa	psig	MPa	psig	°C	°F													
Screwed Rc, NPT	1/2"	0,7	101.5	0,7	101.5	0,03	5	0,03	5	185	365	3 : 1	93	199	100	138	134	43	47	62	102	3,9	8,6	
	(3.9)														(5.4)	(5.3)	(1.7)	(1.9)	(2.4)	(4.0)				
	140														179	168	57	51	86	147	8,6	18,9		
	(5.5)														(7.0)	(6.6)	(2.2)	(2.0)	(3.4)	(5.8)				
1 1/2"	0,5	72.5	0,5	72.5										160	189	197	70	60	86	147	14,1	31,0		
														(6.3)	(7.4)	(7.8)	(2.8)	(2.4)	(3.4)	(5.8)				

Body Material: Brass C3771 (JIS); PMA = 1,0 MPa (145 psig), TMA = 185°C (365°F)

**Hot Water Capacity MX1N**

Ratio Steam Pressure : Cold Water Pressure = 1 : 1, Cold Water Temperature 15°C

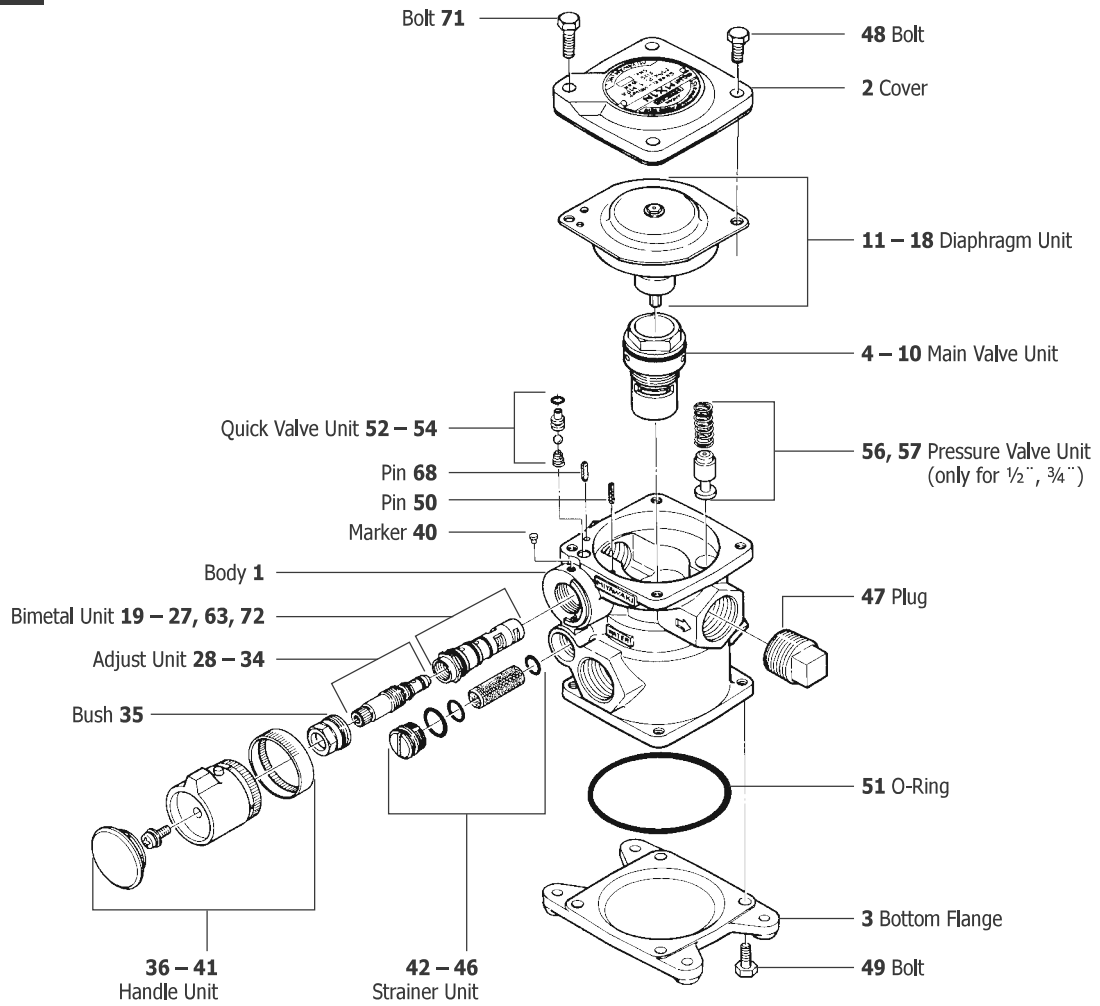
Size (in)	Pressure		Hot Water Flow Amount (l/min)											
			40°C		50°C		60°C		70°C		80°C		90°C	
	MPa	psig	Min.	Max.	Min.	Max.	Min.	Max.	Min.	Max.	Min.	Max.	Min.	Max.
1/2"	0,1	14.5	3	12	3	12	3	13	5	13	5	11	5	10
	0,2	29.0	3	20	3	21	3	21	5	20	5	17	10	14
	0,3	43.5	6	25	6	25	6	26	9	26	9	22	13	19
	0,4	58.0	6	29	6	29	6	29	12	30	12	28	17	24
	0,5	72.5	7	32	7	32	8	33	13	34	18	34	29	29
	0,6	87.0	7	35	7	36	16	36	17	37	27	37	34	34
	0,7	101.5	8	38	9	38	21	39	21	40	37	40	38	38
3/4"	0,1	14.5	5	22	5	23	5	20	8	17	8	14	9	12
	0,2	29.0	5	32	5	32	5	31	8	25	8	21	13	18
	0,3	43.5	8	39	8	39	8	40	10	34	10	28	25	25
	0,4	58.0	9	45	9	45	9	46	14	42	20	36	31	31
	0,5	72.5	11	50	11	51	11	52	15	51	23	43	37	37
	0,6	87.0	12	55	12	55	23	56	23	57	42	50	43	43
	0,7	101.5	14	59	15	60	44	61	45	62	56	56	49	49
1"	0,1	14.5	30	54	30	54	29	47	23	38	20	32	17	28
	0,2	29.0	38	76	39	77	48	70	37	57	31	49	27	42
	0,3	43.5	48	93	48	94	65	94	52	77	44	65	38	56
	0,4	58.0	54	107	55	109	66	111	67	97	57	82	49	71
	0,5	72.5	60	120	66	122	67	124	82	116	69	98	60	85
	0,6	87.0	66	131	67	133	68	135	97	136	82	115	71	100
	0,7	101.5	71	142	72	144	73	146	107	149	93	130	81	112
1 1/2"	0,1	14.5	91	140	83	116	64	90	53	74	45	63	39	54
	0,2	29.0	116	197	137	175	100	136	82	112	69	94	60	82
	0,3	43.5	136	242	170	235	136	183	112	149	94	126	82	110
	0,4	58.0	153	279	170	284	172	229	141	188	119	159	103	138
	0,5	72.5	171	312	173	317	210	276	172	226	146	191	126	166

**Max. Temperature of hot water – Ratio Steam Pressure 1 : 1**

1/2"	93°C	3/4"	93°C	1"	93°C	1 1/2"	93°C
------	------	------	------	----	------	--------	------

Please, look at our Website [www.miyawaki.net](http://www.miyawaki.net) (Products/Steam Water Mixing Valves) for more detailed flow charts containing hot water flow rates of the MX1N. If you require further technical details, please ask for our technical leaflet on Steam Water Mixing Valves.

**MX1N**



**MX1N**

**Installation Examples**

