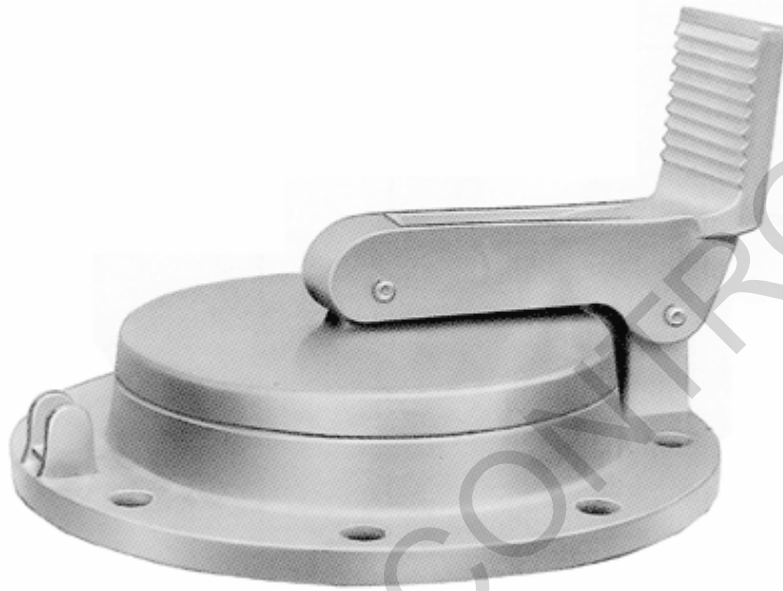


Gauge Hatches.



Usually the gauge hatches are made of sparkless cast Aluminium, metal-to-metal seating. On request they can be supplied with other materials (cast iron or Stainless Steel) and with O-Rings to minimize leakages.

Boccaporti di Misurazione. Gauge Hatches.

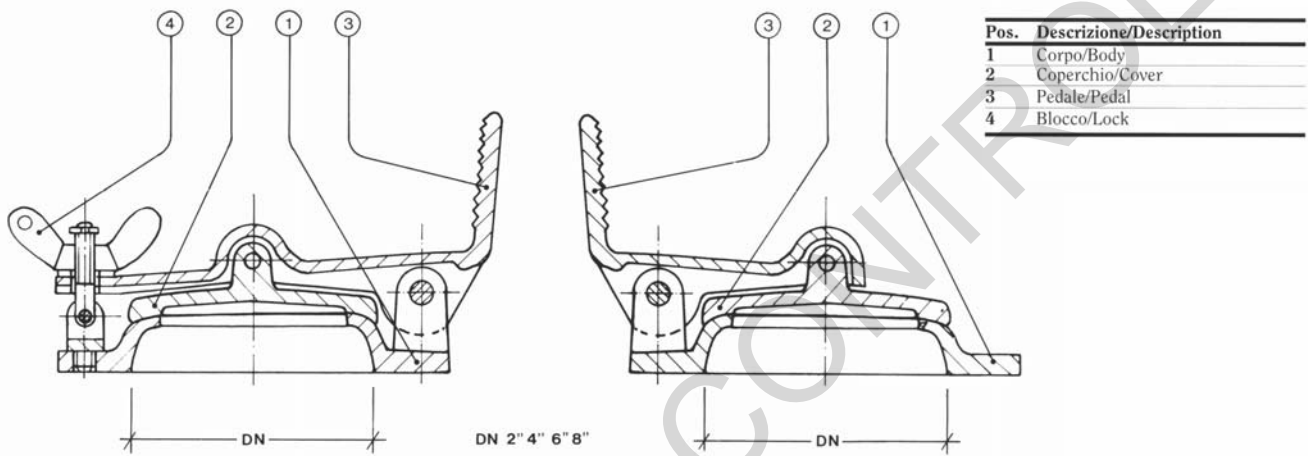


Fig. 7

Fig. 7/SC

