

Flame Arrester.



This kind of flame arrester is of "end line" type and prevents an external flame entering the reservoirs. The flame arrester is normally installed on the reservoir in combination with a breather or a vent valve or with an open vent piping; in this case the flame arrester is equipped with an aluminium weather hood and bird screen.

Main Features :

The flame arrester element consists in crimped metal sheets; the ignited vapour passing through the flame arrester are cooled, and then extinguished by the metal sheet mass. The sheets are contained in a removable bank, except model Dwg. 214/A, for inspection and maintenance actions. The free area through the sheets is about three times the area of the pipe. The sheets must be kept clean to prevent loss of flame arrester efficiency.

Materials :

- Body : Cast Aluminium, AISI 304 or 316.
- Sheets : Aluminium, AISI 304, AISI 316.

Flanges :

ANSI 150, drilled to UNI PN10 on request.

Breathing Units :

Herewith we show the overall dimensions of breathing units (breather valve + flame arrester).

If in line flame and detonation/deflagration arrester is required, please refer to section **Representative**.

Dwg. 202

-Available in 2", 3" and 4" sizes.

Dwg. 203

-Available in 6" ÷ 12" sizes.

Dwg. 214/A

-Available in 1" e 1½" sizes.

Dwg. 1011

-Model with weather hood.

Tagliafiamma. Flame Arrester.

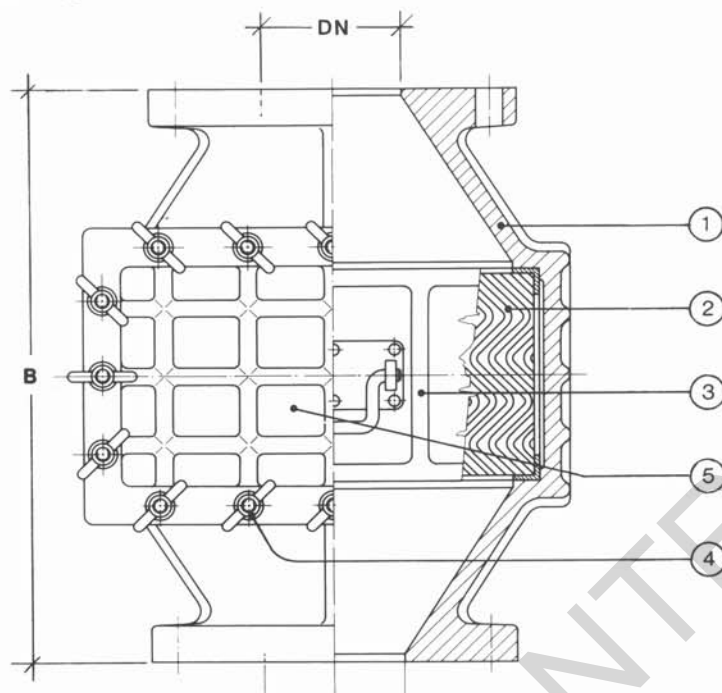


Fig. 202

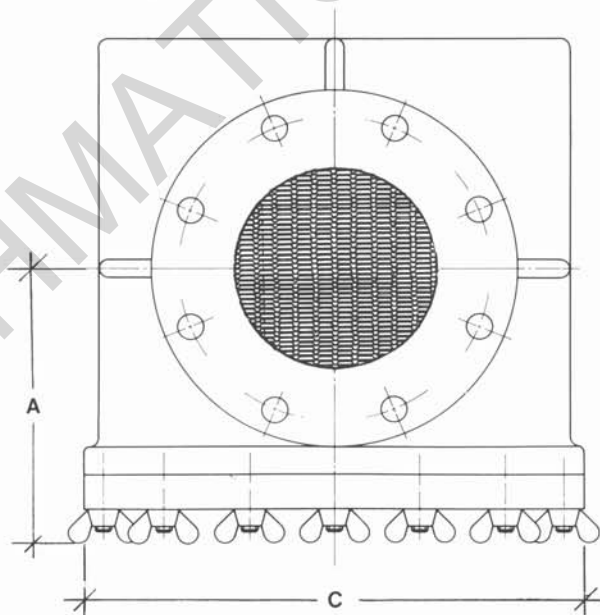


Fig. 202

DN	A	B	C
2"	110	305	186
3"	135	325	236
4"	165	340	286

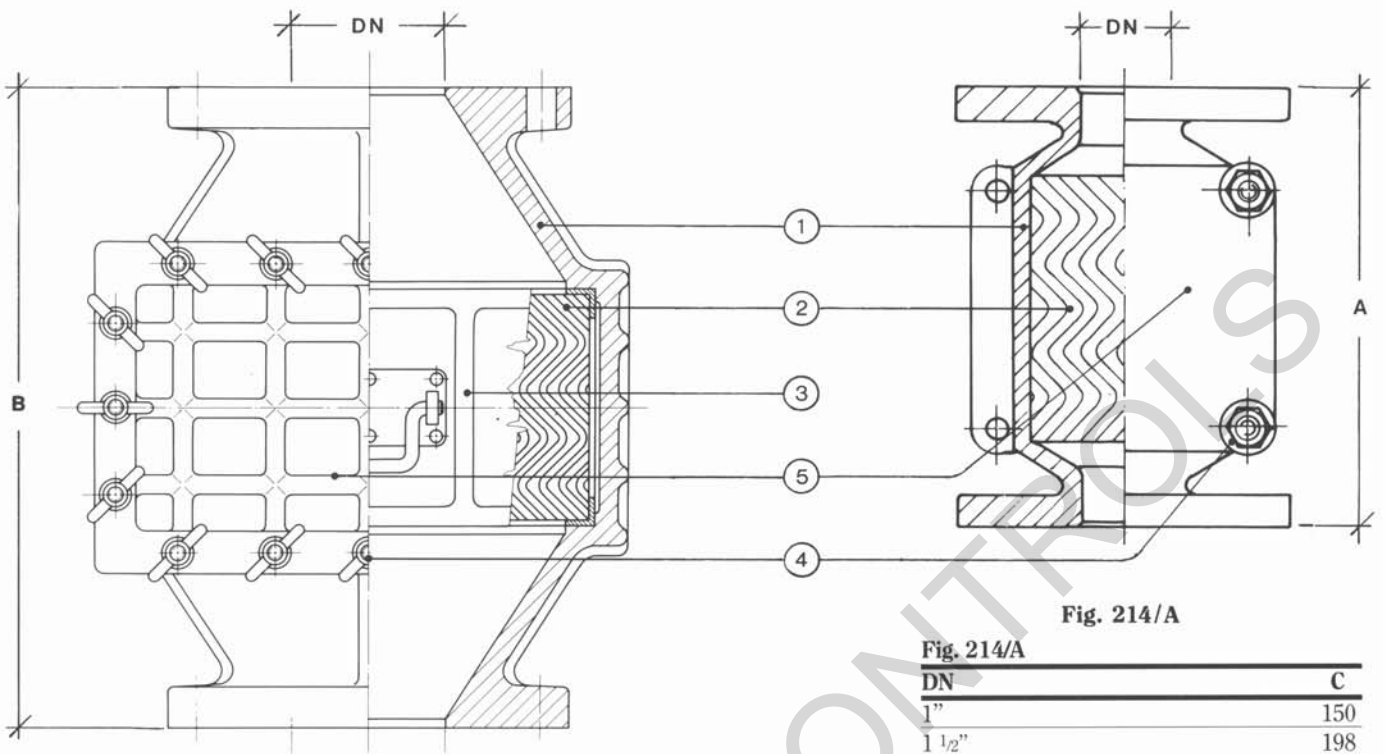


Fig. 203

Fig. 214/A

Fig. 214/A

DN	C
1"	150
1 1/2"	198

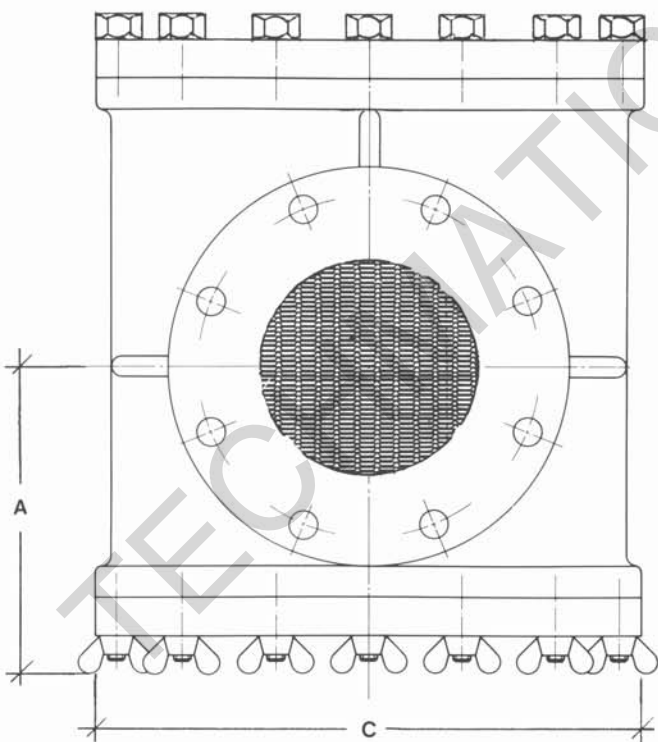


Fig. 203

DN	A	B	C
6"	190	390	390
8"	240	500	480
10"	315	615	590
12"	375	650	720

Pos.	Descrizione/Description
1	Corpo/Body
2	Pacco/Sheet
3	Cassetto/Bank
4	Dadi/Bolts
5	Coperchio/Cover
6	Cappello/Hood
7	Colonnine/Supporting Columns
8	Rete/Bird Screen
9	Dado/Nut

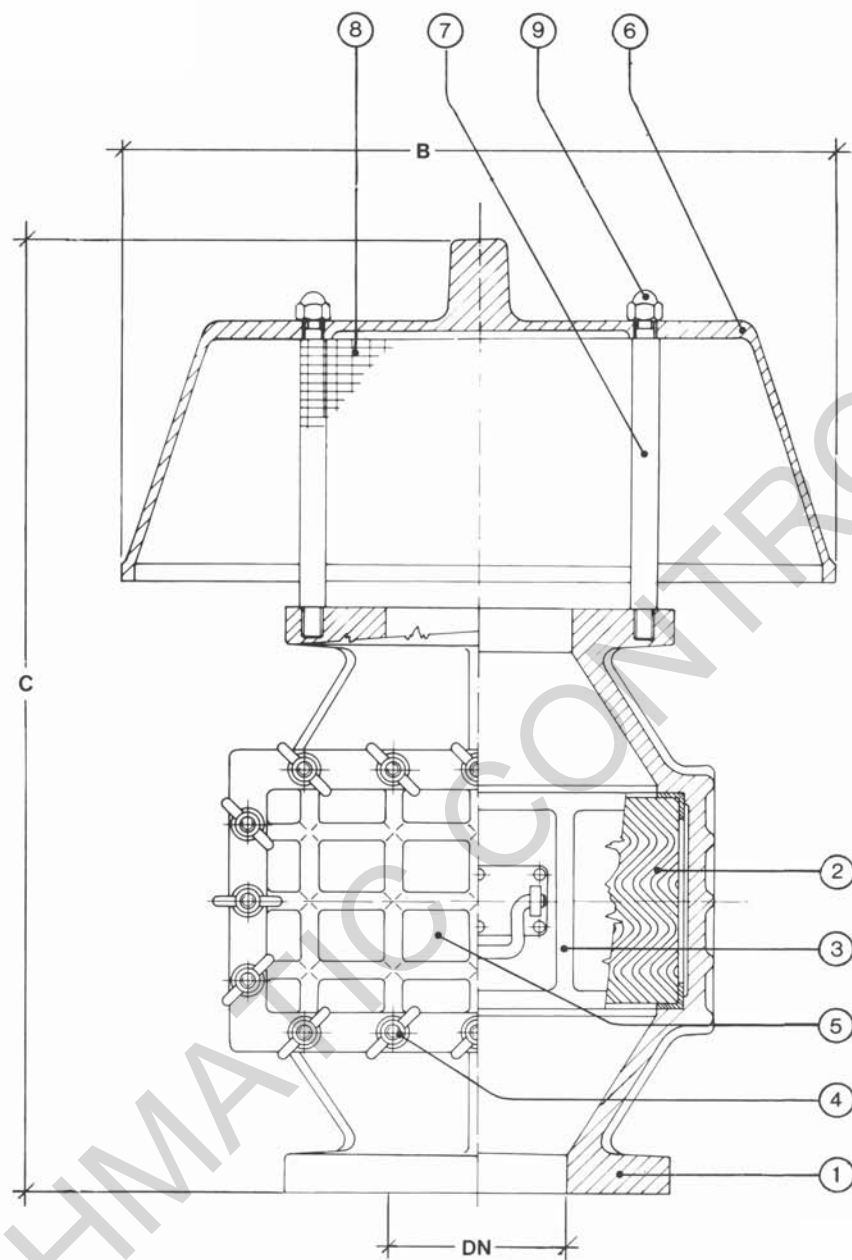


Fig. 1011

Fig. 1011

DN	B	C
2"	200	450
3"	245	470
4"	300	500
6"	405	680
8"	480	780
10"	570	900
12"	750	1150

