

## Emergency Vent Manhole Cover.

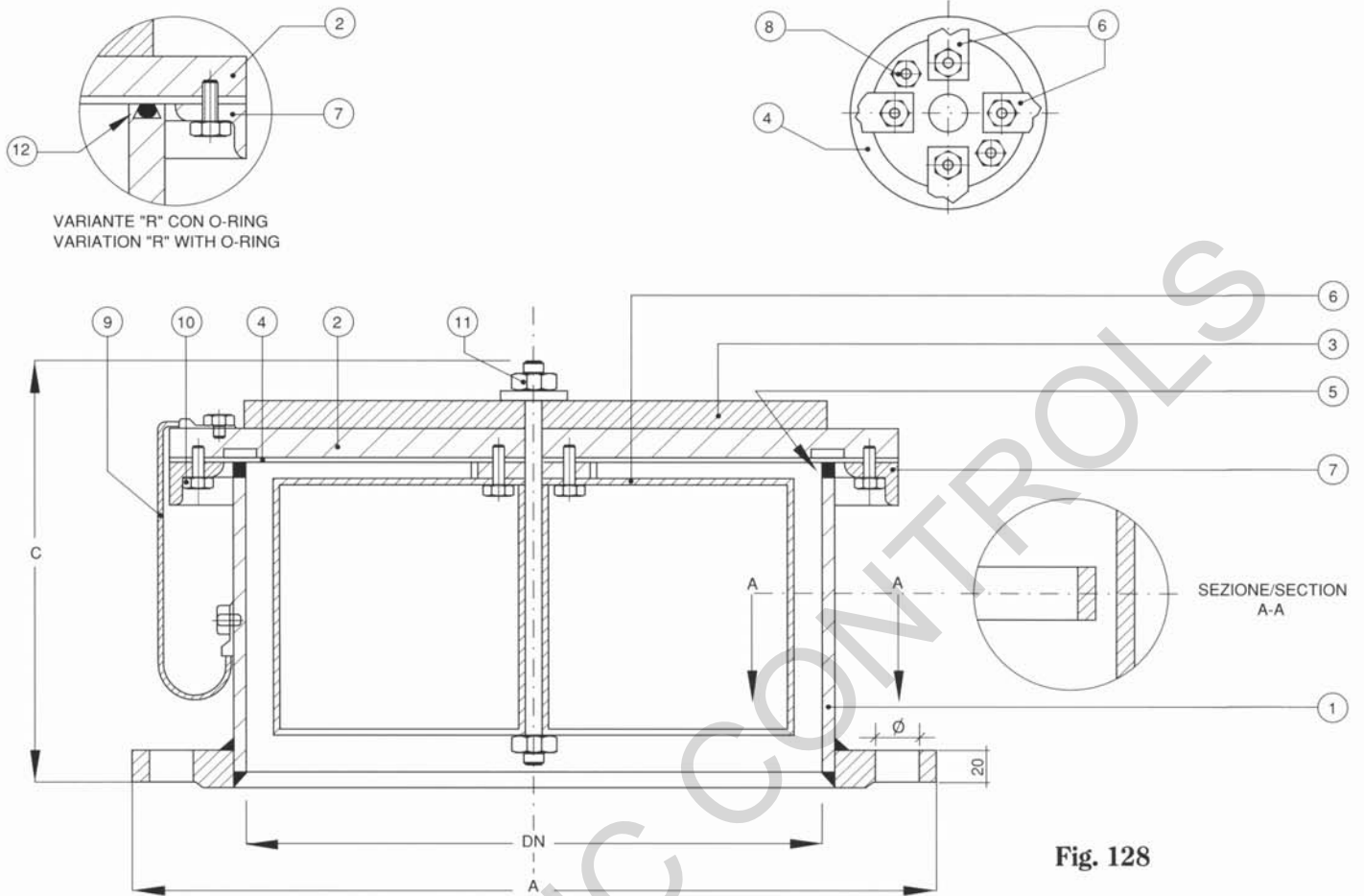


These valves are used to provide an easy access to tank and to assure a large emergency relief opening in case of exposure to fire.

### **Standard Materials :**

- Body: fabricated carbon steel with Stainless Steel electrowelded seat, or AISI 304 or 316 Stainless Steel.
- Cover: Carbon steel or AISI 304 or 316 Stainless Steel.
- Diaphragms: synthetic rubber or P.T.F.E.
- Flange: API 650; on request drilled to ANSI 150 or ISO PN10.

**Passo d'Uomo - Valvola d'Emergenza. Emergency Vent Manhole Cover.**



**Fig. 128**

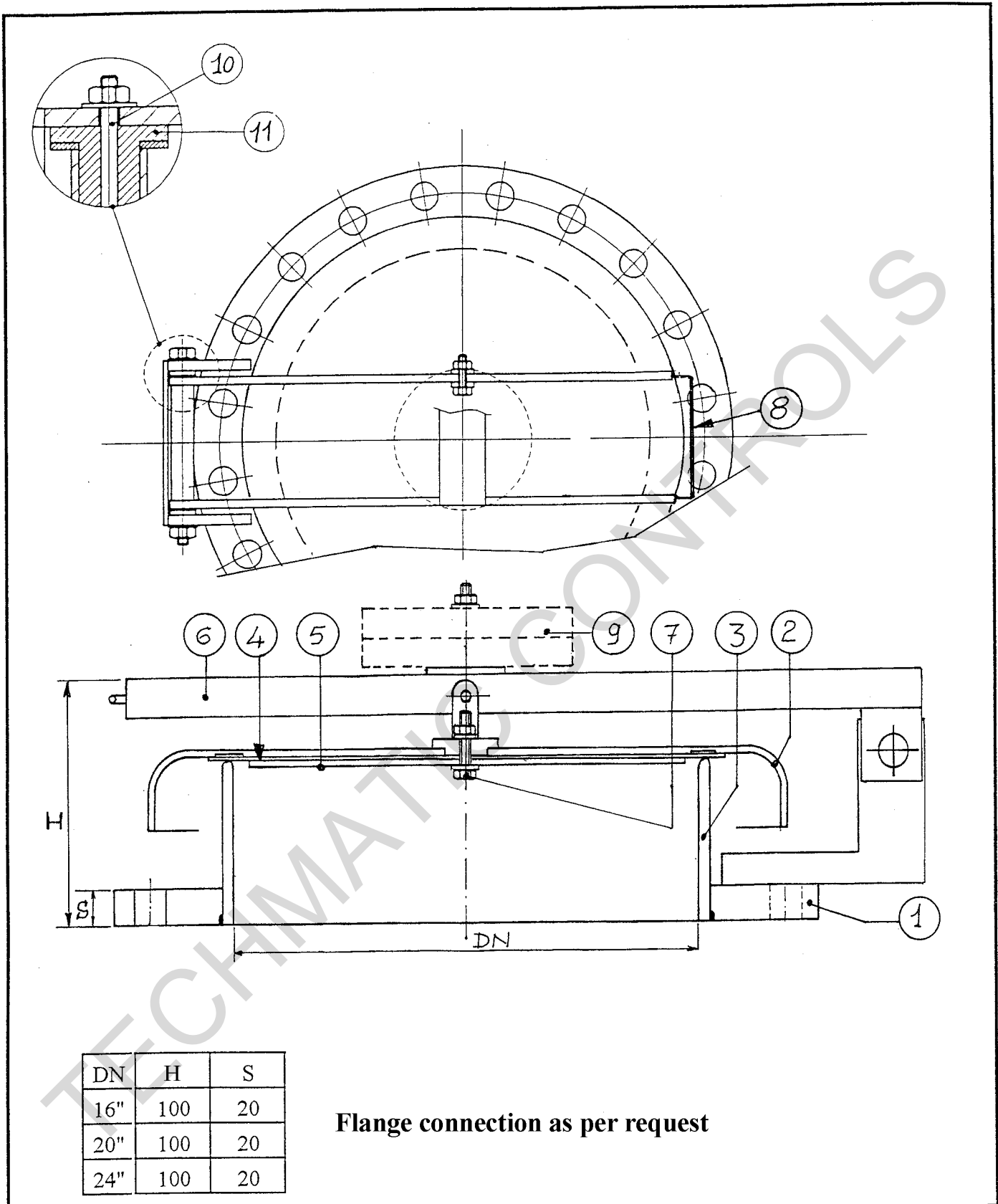
**Fig. 128**

DN	A	B	Ø	N.Holes	C
16"	530	464	19	12	320
20"	660	597	19	16	350
24"	762	699	19	20	380

Pos.	Descrizione/Description
1	Corpo/Body
2	Coperchio/Cover
3	Peso di Taratura/Dead Weight
4	Diaframma/Diaphragm
5	Sede/Seat
6	Guide/Guides
7	Anello Esterno/Outer Ring
8	Bulloni/Bolts
9	Cavo di Massa/Ground Cable
10	Bullone/Bolt
11	Dado/Nut

**Flangia:** API650, a richiesta forata ANSI 150RF o ISO PN10

**Flange:** API650, on request drilled to ANSI 150RF or ISO PN10



Flange connection as per request

VALVOLA EMERGENZA PASSO D'UOMO		CUSTOMER/CLIENTE	
EMERGENCY VENT MANHOLE COVER		_____	
<b>FIG. 129</b>			
ASSEMBLY DWG.	1	ORDER/ORDINE N°	
FOGLIO/ SHEET 1	REV.	DWG.	DATE
		<b>Rampini</b> S.r.l. 20131 Milano(Italy) V.Paisiello,12 Tel: +39-2-29510899 Tel/Fax: +39-2-29511081	

ITEM	PART NAME-PARTICOLARE			MATERIAL-MATERIALE
1	BODY	-	CORPO	CARBON STEEL OR AISI 316 OR 304
2	COVER	-	COPERCHIO	CARBON STEEL OR AISI 316 OR 304
3	SEAT	-	SEDE	AISI 304L OR 316L
4	DIAPHRAGM	-	DIAFRAMMA	PTFE,EPDM,VITON,etc
5	DIAPHRAGM RETAINER	-	REGGIDIAFRAMMA	AISI 304L OR 316L
6	ARM	-	LEVA	ACC.AL CARBONIO-CARBON STEEL
7	BOLT	-	BULLONE	A193 B8 OR B8M
8	HANDLE	-	MANIGLIA	ACC.AL CARBONIO-CARBON STEEL
9	DEADWEIGHT	-	PESO DI TARATURA	ACC.AL CARBONIO-CARBON STEEL
10	HINGE	-	PERNO	A193 B8
11	BUSHING	-	BUSSOLA	PTFE
<b>TECHNICAL DATA - DATI TECNICI</b>				
DN	TAGS - SIGLE			PRESSURE
EMERGENCY VENT MANHOLE COVER VALVOLA EMERGENZA PASSO D'UOMO		CUSTOMER/CLIENTE _____		<b>Rampini</b> S.r.l. 20131 Milano (Italy) V.Paisiello,12 Tel: +39-2-29510899 Fax: +39-2-29511081
<b>FIG. 129</b>		ORDER/OFFER N°		
PART LIST FOGLIO 1A	REV.	DWG.	DATE	