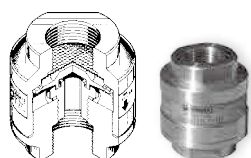


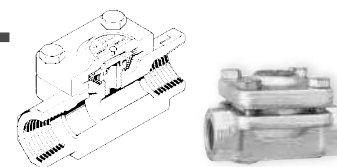
DL1



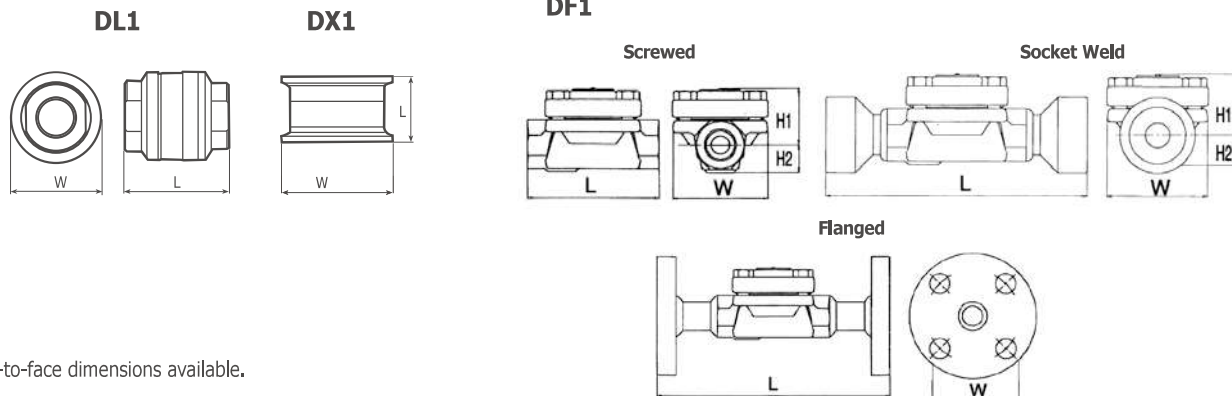
DX1



DF1

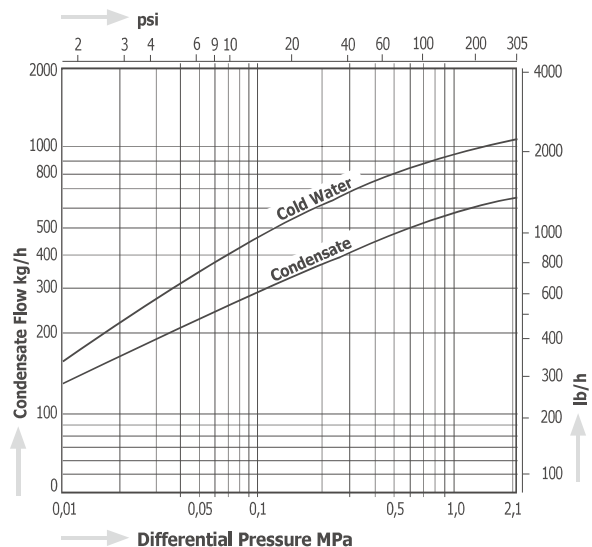


Dimensions

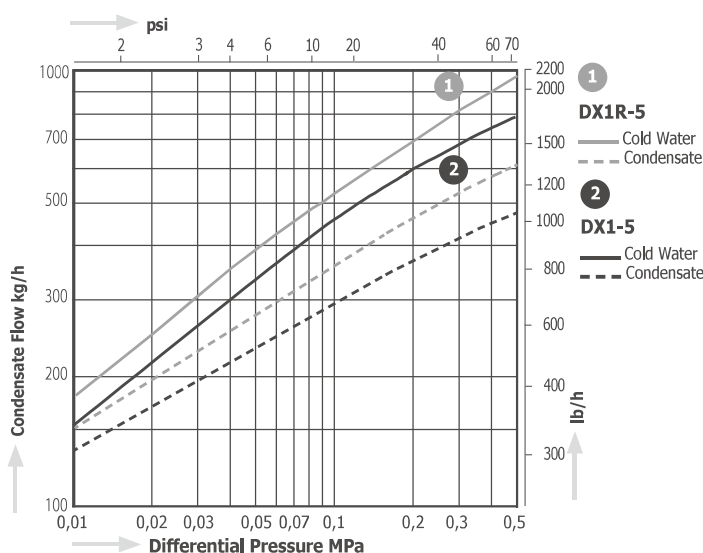


Special face-to-face dimensions available.

Capacity Chart DL1, DF1



Capacity Chart DX1



Model	Connections	Size	Max. Operating Pressure		Max. Operating Temperature		Dimensions (mm)				Dimensions (in)				Body Material	Weight			
			MPa	psig	°C	°F	L	H1	H2	W	L	H1	H2	W		kg	lb		
DL1-21H DL1-21L	Screwed Rc, NPT	1/4"	2,1	305	220	428	60		48	2.4			1.9	Stainless Steel SCS13	0,7	1.5			
		3/8"																	
		1/2"																	
		3/4"																	
DL1-10C	Screwed Rc, NPT	1/4"	1,0	145	220	428	60		48	2.4			1.9	Stainless Steel SCS13	0,7	1.5			
		3/8"																	
		1/2"																	
		3/4"																	
DX1-5 (DX1R-5)	Tri-Clamp	38 mm	0,5	72.5	160	320	30		51	1.2			2.0	Stainless Steel SUS316	0,2	0.44			
		1"																	
DF1-21H DF1-21L	Screwed Rc, NPT	1/2"	2,1	305	235	455	85	36	18	62	3.4	1.4	0.7	2.4	Forged Steel A105	1,0	2.2		
		3/4"					100	40	23		3.9	1.6	0.9			1,3	2.9		
		1"					160	36	18		62	6.3	1.4			0.7	2.4	1,4	3.1
DF1-21HW DF1-21LW	Socket Weld JIS, ASME, DIN	1/2"	2,1	305	235	455	150	36	18	62	5.9	1.4	0.7	2.4	Forged Steel A105	2,1	4.6		
		3/4"									160	40	23			62	6.3	1.6	0.9
DF1-21HF DF1-21LF	Flanged JIS, DIN PN40, ASME 150, 300 lb	1/2"	2,1	305	235	455	150	36	18	62	5.9	1.4	0.7	2.4	Forged Steel A105	2,1	4.6		
		3/4"									160	40	23			62	6.3	1.6	0.9
		1"																4,0	8.8