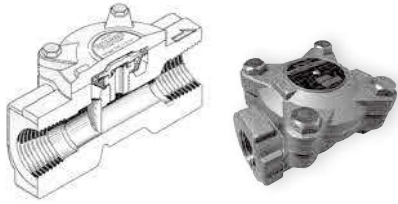
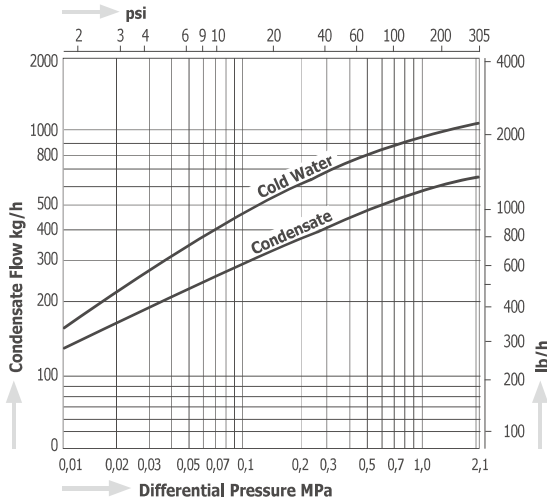


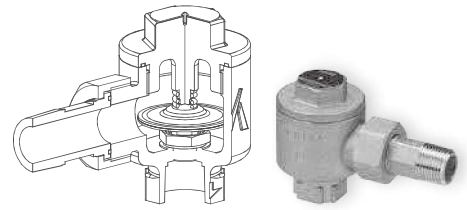
DC1



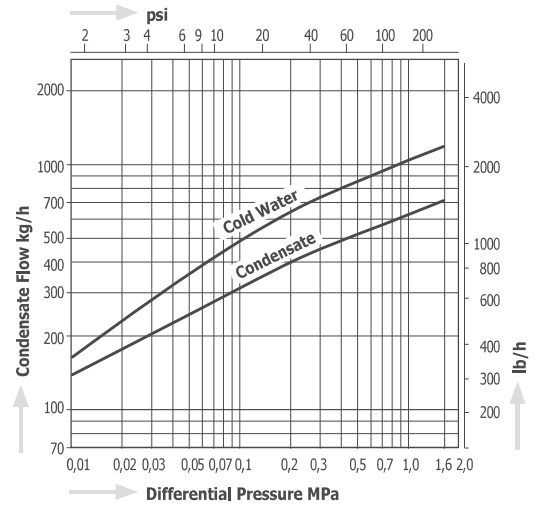
Capacity Chart DC1



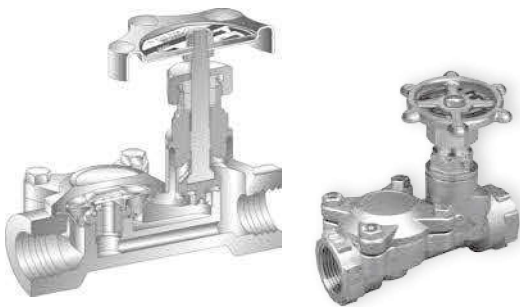
DC2R



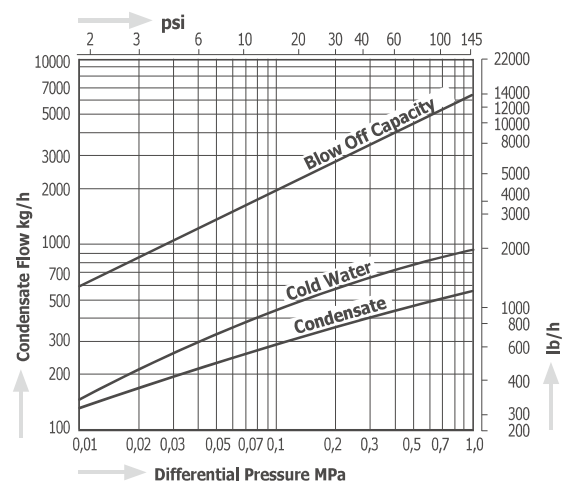
Capacity Chart DC2R



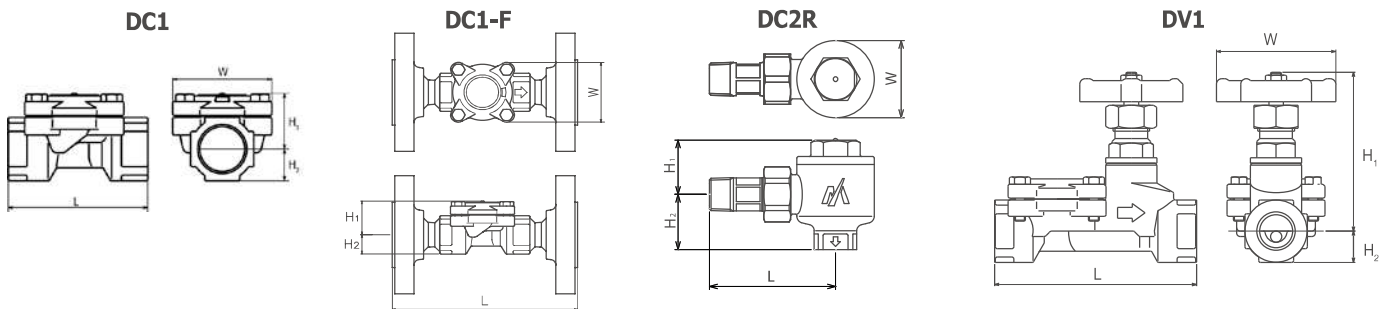
DV1 with Bypass Valve



Capacity Chart DV1



Dimensions



Model	Connections	Size	Max. Operating Pressure		Max. Operating Temperature		Dimensions (mm)				Dimensions (in)				Body Material	Weight	
			MPa	psig	°C	°F	L	H ₁	H ₂	W	L	H ₁	H ₂	W		kg	lb
DC1-21H DC1-21L	Screwed Rc, NPT	1/4", 3/8"	2,1	305	220	428	65	29	11	53	2.6	1.1	0.4	2.1	Stainless Steel SCS13A	0,4	0.9
		1/2", 3/4"									3.0	1.2	0.7			0,5	1.1
		1"									3.1	1.3	0.8			0,5	1.1
		1/2"									150	31	17			53	5.9
DC1-21HF DC1-21LF	Flanged JIS, ASME, DIN	3/4"					160	34	21		6.3	1.3	0.8		2,2	4.9	
		1"													3,1	6.8	
DC2R-16H	Inlet: R Outlet: Rc, NPT	1/2"	1,6	230	220	428	80	35	35	49	3.1	1.4	1.4	1.9		0,7	1.5
DV1-10	Screwed Rc, NPT	1/2", 3/4"	1,0	145	185	365	110	88	17	65	4.3	3.5	0.7	2.6		0,9	1.9

DC2R-16H – Type with bypass orifice