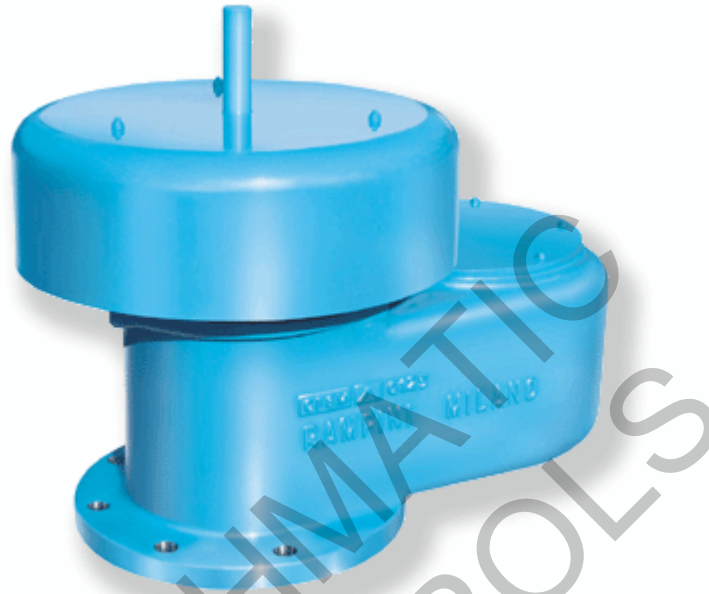


Breather valve.



These valves are designed to protect the reservoirs against excessive positive or negative (vacuum) pressures due to the loading or unloading operations and to the temperature variations. As the reservoir pressure exceeds the valve relief or vacuum setting, the pallets arise allowing the venting or the vacuum relieving of the reservoir.

Main Features :

- Replaceable seats.
- Antifreezing pallets; the drip around the pallet avoids condensate collecting around the seat.
- Pallet guides located above the seat; this arrangement assures a no-jamming guide of the pallet not affected by contaminant fluids as a close coupling between pallet and guides is not necessary.
- Bird screen avoids the entering of foreign elements.
- Setting: any setting available, changing the pallet's dead weight load, between ± 20 mm H20 and ± 400 mmH20. (On request higher sets)

Standard Materials :

- Body: cast Aluminium, WCB, CF8 (304) CF8M (316).
- Seats and pallets: AISI 304, AISI 316.
- Bird screen and guides: 18/8 Stainless Steel.
- Diaphragms: FEP, PT.FE., BUNA-N, VITON etc.

Flanges :

ANSI 150, drilled to UNI PN 10 on request.

Dwg. 101/AA Valves :

These valves are used when the setting values exceed 800 mm H20.

Dwg. 101/AC Valves :

These valves are used on blanketed tanks. Through the valve an inert gas can be fed into the reservoir when its pressure value is below the blanketing pressure.

Dwg. 101/TV Valves :

Tightness by elastomeric O-rings (Buna-N, Viton, Chemraz) to minimize the leakages.

Valvola Atmosferica. Breather Valve.

Fig. 101/AA

DN	D	E
2"	178	175
3"	200	225
4"	245	271
6"	300	352
8"	405	483
10"	565	610
12"	720	692

Pos.	Descrizione/Description
1	Corpo/Body
2	Coperchio/Cover
3	Sede/Seat
4	Fungo/Pallet
5	Diaframma/Diaphragm
6	Trattenitore/Gasket Retainer
7	Dado/Pallet Nut
8	Guide Laterali/Peripheral Guides
9	Guida Centrale/Central Guide
10	Bulloni Coperchio/Cover Bolts
11	Guarnizione Coperchio/Cover Gasket
12	Guarnizione Sede/Seat Gasket
13	Rete/Bird Screen
14	Prigionieri/Studs
15	Cappello/Hood
16	Rete/Bird Screen
17	Dado/Nut
18	Colonnine/Supporting Columns
19	Gomito Aspirazione/Suction Elbow
20	Copri Molla/Spring Cover
21	Cappelotto/Cap
22	Dado di Blocco/Locking Nut
23	Vite di Connessione/Connecting Screw
24	Guida Molla/ Spring Guide
25	Molla Vuoto/Vacuum Spring
26	Molla Pressione/Pressure Spring
27	Stelo/Stem
28	Vite di Regolazione/Setting Screw
29	Dado di Blocco/Locking Nut
30	Guarnizione Cappelotto/Cap Gasket

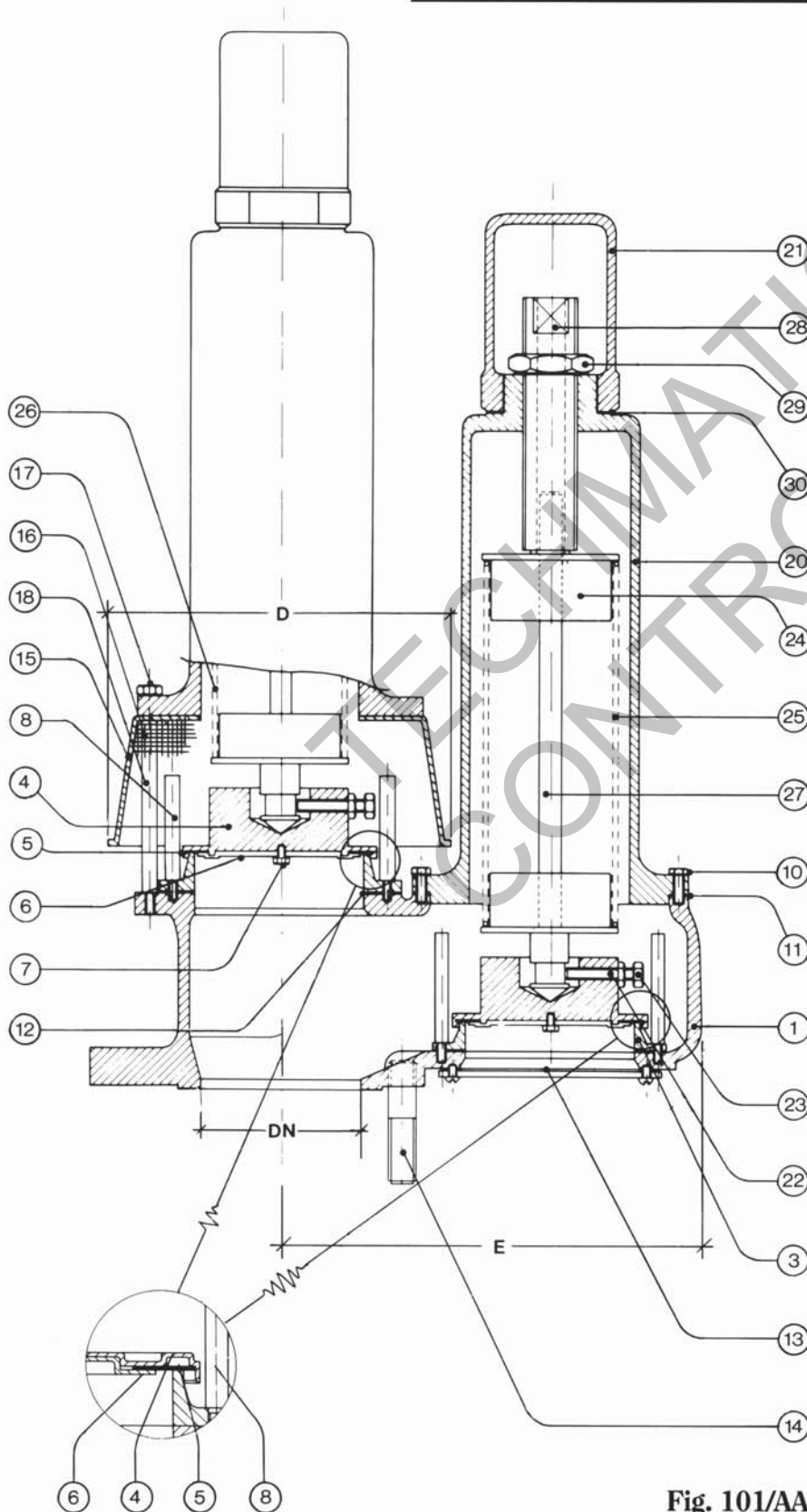
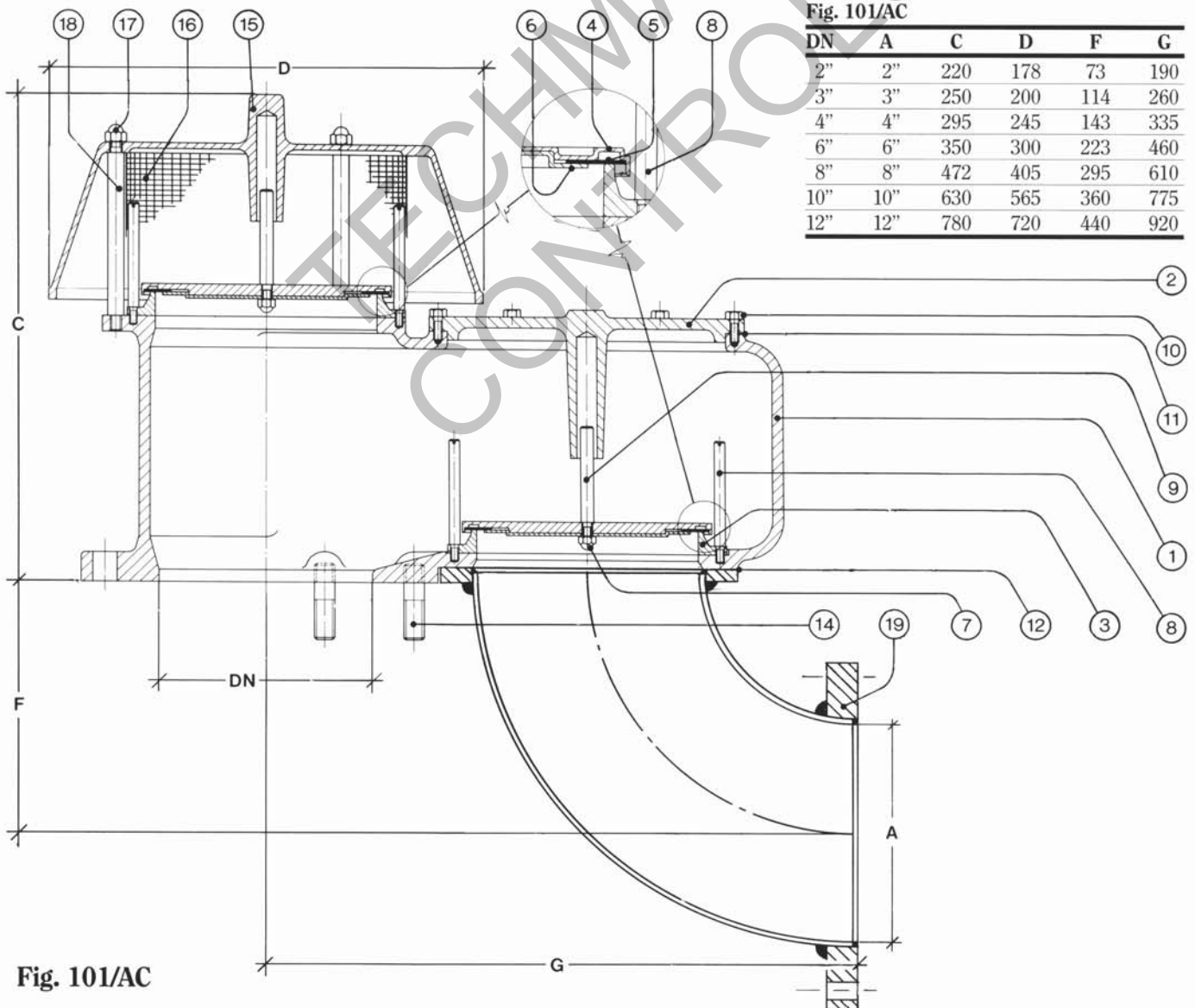
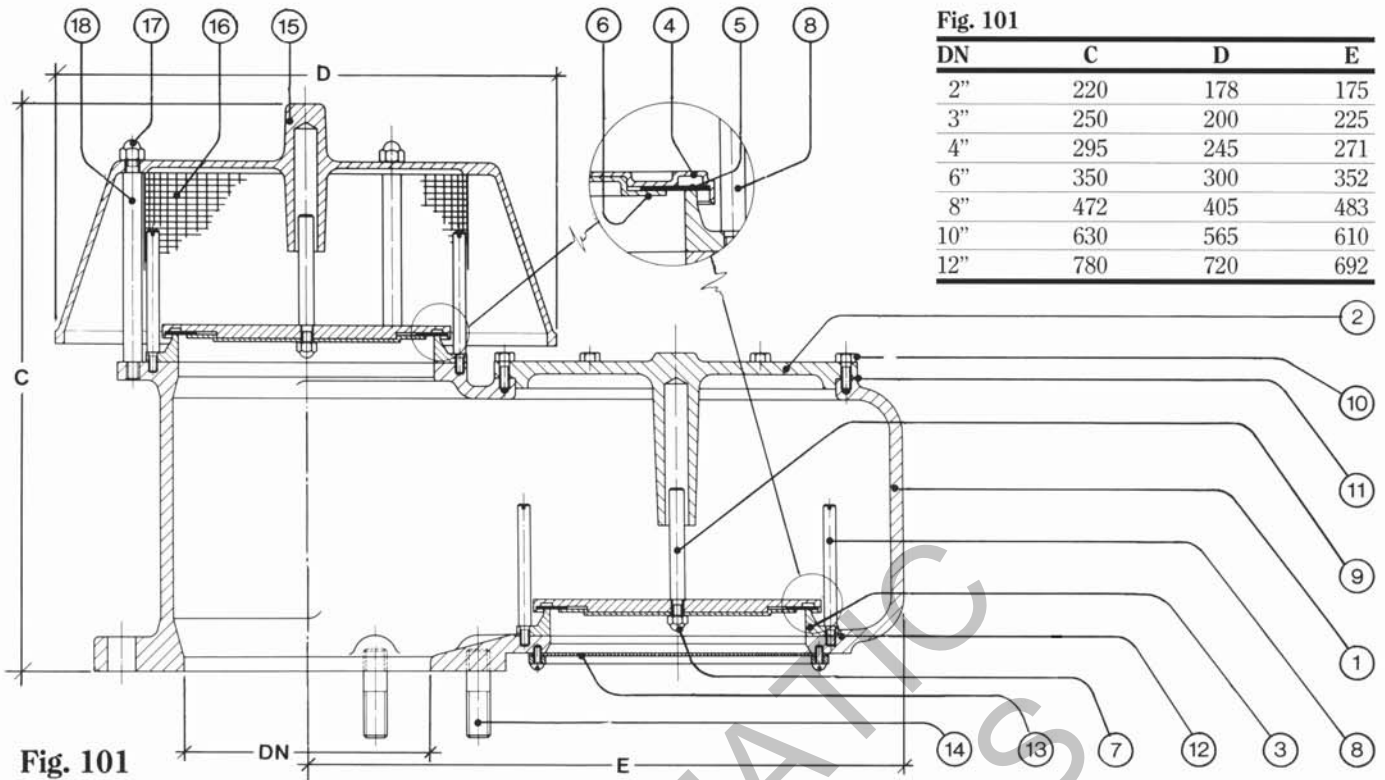


Fig. 101/AA





Breather Valves 2" Capacity curves

