

2-way Control Valve type S2FM-T

Stainless Steel, PN25, DN 65 – 125 mm / PN16, DN150 - 300 mm / PN10, DN 350 - 800 mm

0-2.7.04-A

Page 1 of 4



APPLICATIONS

Control valve type S2FM-T is a three-way control valve with blocked port making a two-way control valve. The slide for quarter turn operation designed for regulating of fresh water, lubricating oil and other liquid media. The valves are designed for use in conjunction with industrial processes, district heating and marine installations with large water or lubricating oil quantities. The valves are designed for use in conjunction with valve motor type CAR with handle for manual operation or for use in conjunction with a pneumatic actuator.

DESIGN

The valve body and the valve slide are made of stainless steel AISI316. The valve flanges are drilled according to EN 1092-2. Optional: ANSI, JIS and Grooved Victalic Joints.

FUNCTION

The slide is firmly connected with the motor spindle. When the slide is in the one extreme position by turning the spindle, connection A-AB is kept fully open. In the other extreme position connection the valve is fully closed. In the intermediate positions the opening degrees change proportionally. The valve has a small tolerance between body and slide. To minimize the leakage an O-ring is mounted in a groove on the slide.

TECHNICAL DATA

Materials:	
- Valve body, slide	Stainless steel - AISI316 (option DUPLEX)
- O-ring	A75H
- U-ring	PTFE
Nominal pressure:	
- 65-125 S2FM-T	PN 25
- 150-300 S2FM-T	PN 16
- 350-600 S2FM-T	PN 10
Flow characteristic	Almost linear
Leakage rate	Max. 0.5%
Regulating capability	Kvs/Kvr > 25
Flanges	EN 1092-2 PN 10/16

Counter flanges (suggested):
DIN 2632 – PN 10
DIN 2633 – PN 16

Max. pressure Δp_L, against which the valve can close:	
- DN 65 - 125	25 bar
- DN 150-300	16 bar
- DN 350-800	10 bar

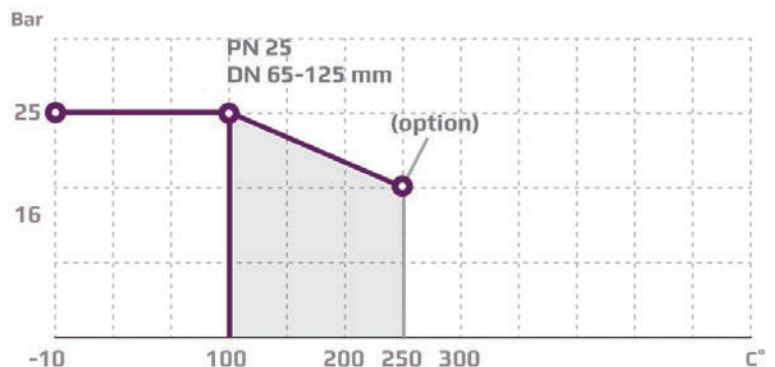
Nominal pressure	
- DN 65-125: PN 25, max. 100 °C (optional 250°C)	
- DN 150-300: PN 16, max. 100 °C (optional 250°C)	
- DN 350-800: PN 10, max. 100 °C (optional 250°C)	

FEATURES

- Simple design secures reliable controls and reduces costly downtime.
- Low leakage rate secures energy savings and avoids overheating.
- Corrosion resistance

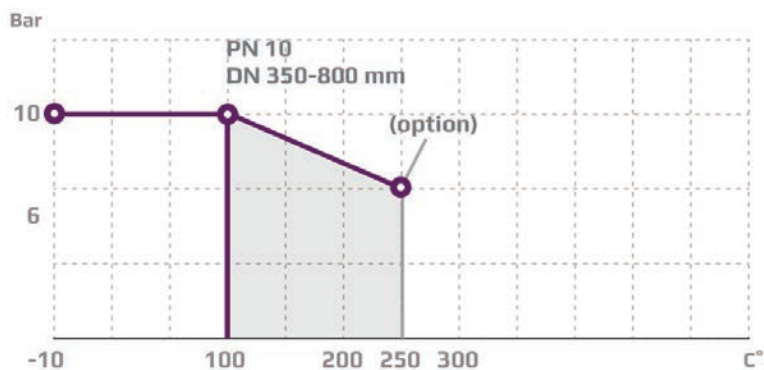
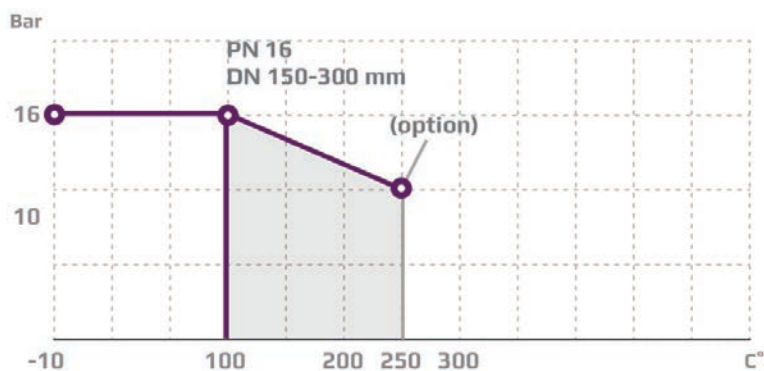
PRESSURE/TEMPERATURE DIAGRAM

According to DIN 2401

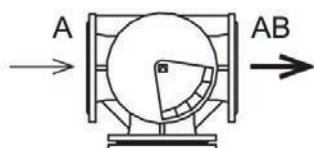


PRESSURE/TEMPERATURE DIAGRAM

According to DIN 2401



PORT NUMBERING



MOUNTING

The valve connections are marked A and AB. Check slide position before installation in the pipe. The slide position is marked on the top of the shaft. The valves can be installed with vertical as well as horizontal spindles. The valves must be mounted in a way that the valve actuator will be exposed to a minimum of moisture and unnecessary vibrations.

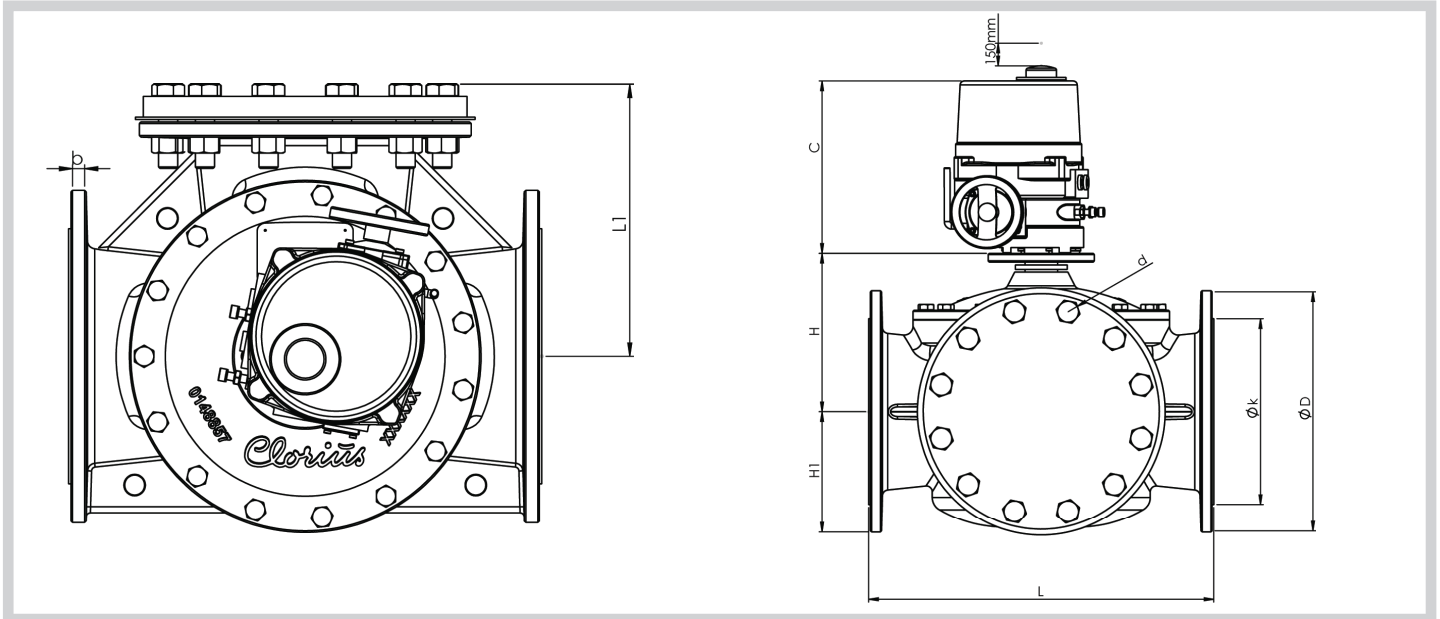
2-way Control Valve type S2FM-T

Stainless Steel, PN25, DN 65 – 125 mm / PN16, DN150 - 300 mm / PN10, DN 350 - 800 mm

0-2.7.04-A

Page 3 of 4

DIMENSION SKETCH



Type	Flange connection DN in mm	k_{vs} -value m^3/h	Torque Nm	Weight kg
65 S2FM-T	65	120	46	37
80 S2FM-T	80	154	49	41
100 S2FM-T	100	220	52	56
125 S2FM-T	125	330	98	73
150 S2FM-T	150	425	135	84
200 S2FM-T	200	1100	330	153
250 S2FM-T	250	2100	450	215
300 S2FM-T	300	2650	700	277
350 S2FM-T	350	3380	780	340
400 S2FM-T	400	3950	880	459
450 S2FM-T	450	4480	1250	579
500 S2FM-T	500	5250	1450	744
550 S2FM-T	550	5250	1750	1090
600 S2FM-T	600	6050	1750	TBC
700 S2FM-T	700	7000	2120	TBC
800 S2FM-T	800	8000	2550	2100

SPECIFICATIONS

Type	L mm	L1 mm	H mm	H1 mm	b mm	C mm	D (dia.) mm	k (dia.) mm	d mm dia. (number)
65 S2FM-T	292	175	135	90	20	273	185	145	19x(8)
80 S2FM-T	292	175	140	94	20	273	200	160	19x(8)
100 S2FM-T	350	205	158	112	17	273	220	180	19x(8)
125 S2FM-T	400	231	179	123	17	273	250	210	19x(8)
150 S2FM-T	438	249	196	139	20	276	285	240	23x(8)
200 S2FM-T	530	301	236	175	21	361	340	295	23x(12)
250 S2FM-T	592	333	273	205	23	361	395	350	23x(12)
300 S2FM-T	649	365	305	230	25.5	361	455	400	23x(12)
350 S2FM-T	717	395	337	255	25.5	361	490	445	23x(12)
400 S2FM-T	770	421	375	285	26	361	540	495	23x(16)
450 S2FM-T	820	446	391	310	26.5	556	595	550	23x(16)
500 S2FM-T	900	455	425	340	27.5	556	645	600	23x(20)
550 S2FM-T	900	492	425	373	27.5	556			
600 S2FM-T	1000	546	470	393	31.0	556	755	705	28x(20)
700 S2FM-T	1106	649	519	462	34.0	556	860	810	28x(24)
800 S2FM-T	1200	702	579	507	37	556	975	920	31x(24)

