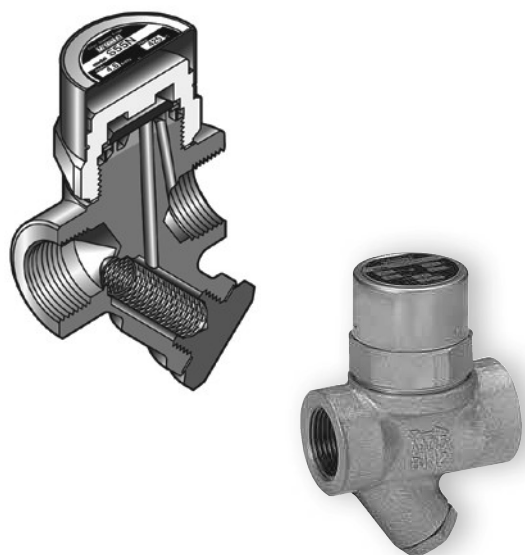
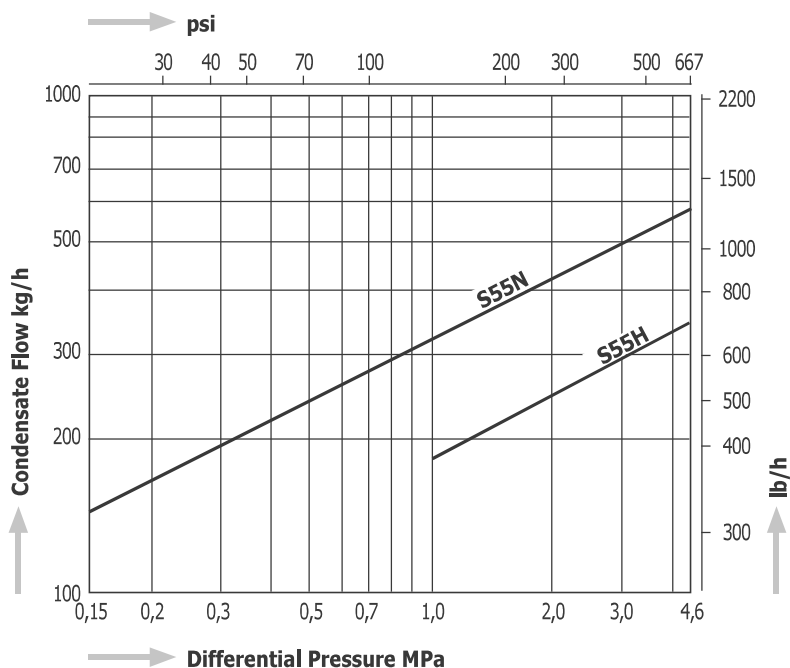


# S55N, S55H



Capacity Chart S55N, S55H



## Dimensions

**S55N, S55H,  
S55NW, S55HW**

**S55NF, S55HF**

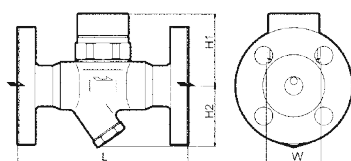
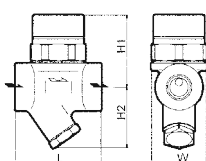


Table 1: Weights

Model	Size (in)	JIS 10/16K		JIS 20K		JIS 30/40K		ASME 150lb		ASME 300lb		ASME 600lb		DIN PN40		DIN PN100	
		kg	lb	kg	lb	kg	lb	kg	lb	kg	lb	kg	lb	kg	lb	kg	lb
<b>S55NF S55HF</b>	1/2"	2,4	5.3	2,6	5.7	3,8	8.4	2,4	5.3	2,9	6.4	3,0	6.6	3,1	6.8	3,7	8.2
	3/4"	2,9	6.4	3,1	6.8	4,2	9.3	2,9	6.4	3,8	8.4	4,0	8.8	3,7	8.2	5,3	11.7
	1"	4,0	8.8	4,3	9.5	5,4	11.9	4,0	8.8	5,3	11.7	5,5	12.1	4,4	9.7	6,3	13.9

Model	Connections	Size	Operating Pressure Range		Max. Operating Temperature		Dimensions (mm)				Dimensions (in)				Body Material	Weight	
			MPa	psig	°C	°F	L	H1	H2	W	L	H1	H2	W		kg	lb
<b>S55N (S55HF)</b>	Screwed Rc, NPT	1/2"	0,15 – 4,6 (1,0 – 4,6)	22 – 667 (145 – 667)	425	800	70	60	52	45	2.8	2.4	2.0	1.8	Forged Steel A105	1,0	2.2
		3/4"					75	65	56	3.0	2.6	2.2	1,2	2.6			
		1"					140	5.5	1,2	2.6							
<b>S55NF (S55HF)</b>	Flanged JIS, ASME	1/2"					140	5.5	1,2	2.6							
		3/4"					165	60	52	45	6.5	2.4	2.0	1.8		Table1	Table1
		1"					175	6.9	Table1	Table1							
<b>S55NF (S55HF)</b>	Flanged DIN	DN15					150	5.9	1,2	2.6							
		DN20					160	6.3	Table1	Table1							
		DN25					Table1	Table1									
<b>S55NW (S55HW)</b>	Socket Weld JIS, ASME, DIN	1/2"					70	60	52	45	2.8	2.4	2.0	1.8		1,0	2.2
		3/4"	75	65	56	3.0	2.6	2.2	1,2	2.6							
		1"	Table1	Table1													